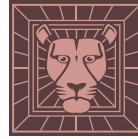


48"

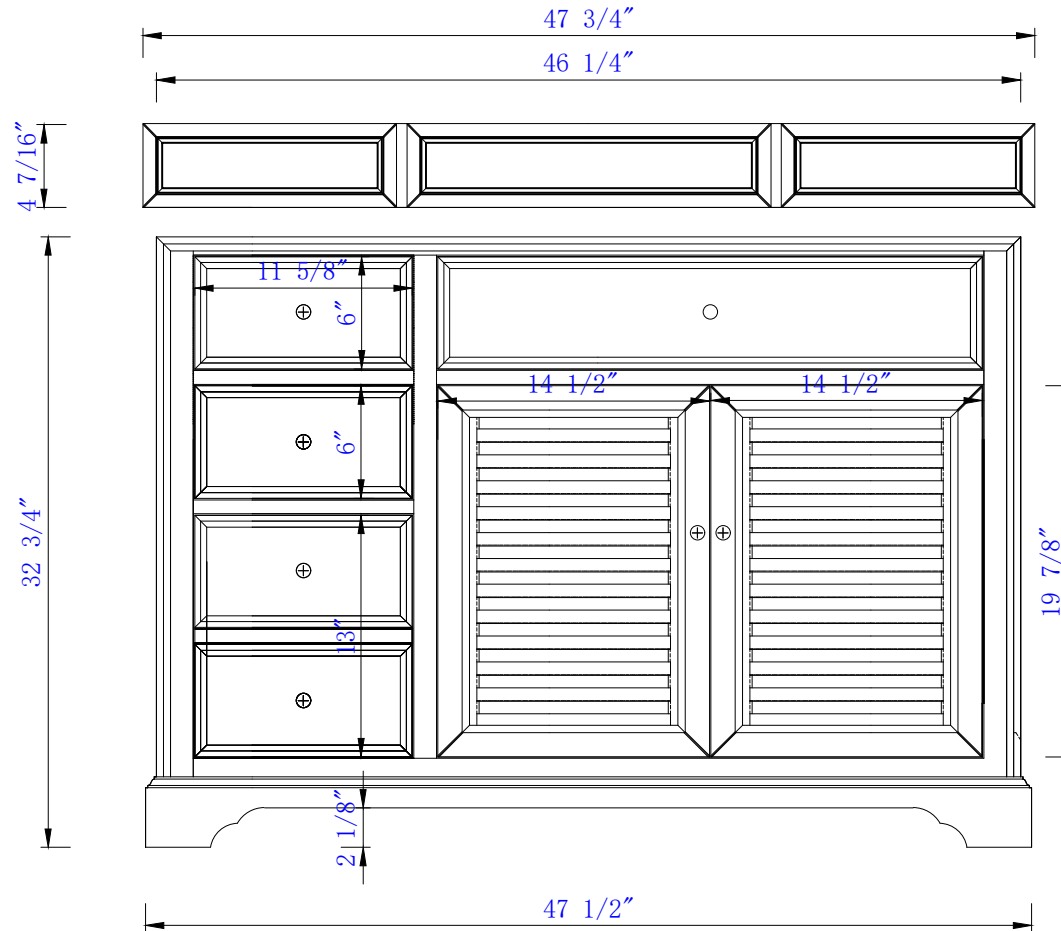
Item Number:
238-104-5211
238-104-V48-BW

JAMES MARTIN



VANITIES™

Savannah 48" Single Vanity
Cabinet w/Drawers
Diagrams with Dimensions
page 01 of 03



NOTE ONE: Countertops are not shown in these diagrams .(Cabinet Only)

NOTE TWO: Wood Backsplash (Shown) is designed for the molding detail to align with sinks in James Martin's Optional Countertops.

Customers' own countertops and sinks may align differently.

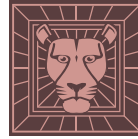
Please consult our website for Countertop Diagrams: www.jamesmartinvanities.com

Version:202107

48"

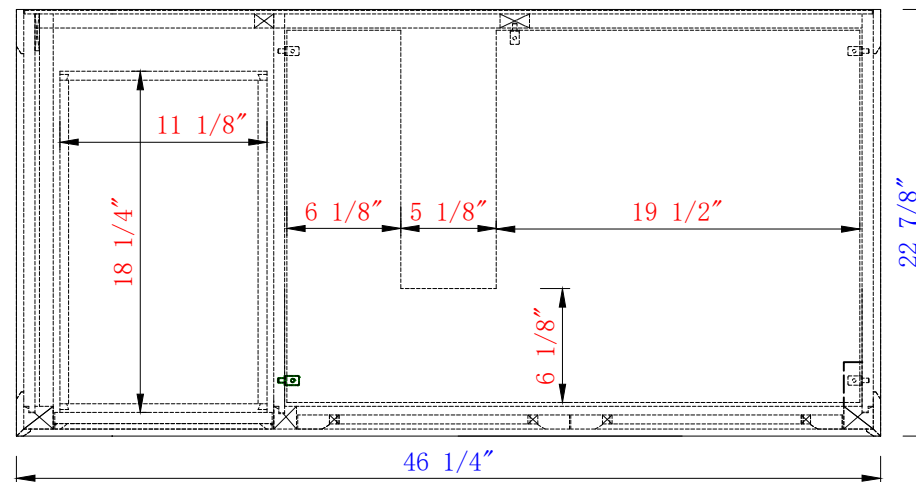
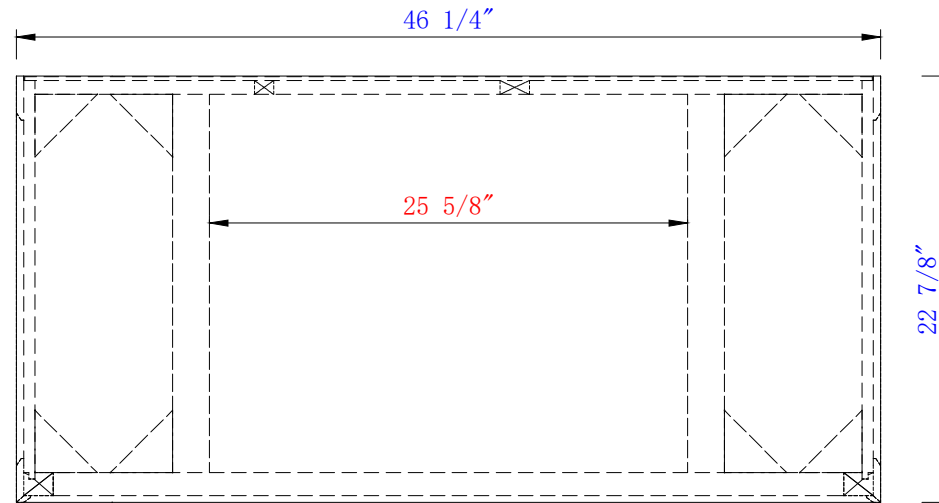
Item Number:
238-104-5211
238-104-V48-BW

JAMES MARTIN



VANITIES™

Savannah 48" Single Vanity
Cabinet w/Drawers
Diagrams with Dimensions
page 02 of 03



NOTE ONE: Countertops are not shown in these diagrams .(Cabinet Only)

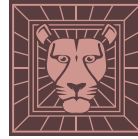
NOTE TWO: Internal Shelves (Shown) are designed to align with sinks in James Martin's Optional Countertops.
Customers' own countertops and sinks may align differently, and modification may be required.
Please consult our website for Countertop Diagrams: www.jamesmartinvanities.com

Version:202107

48"

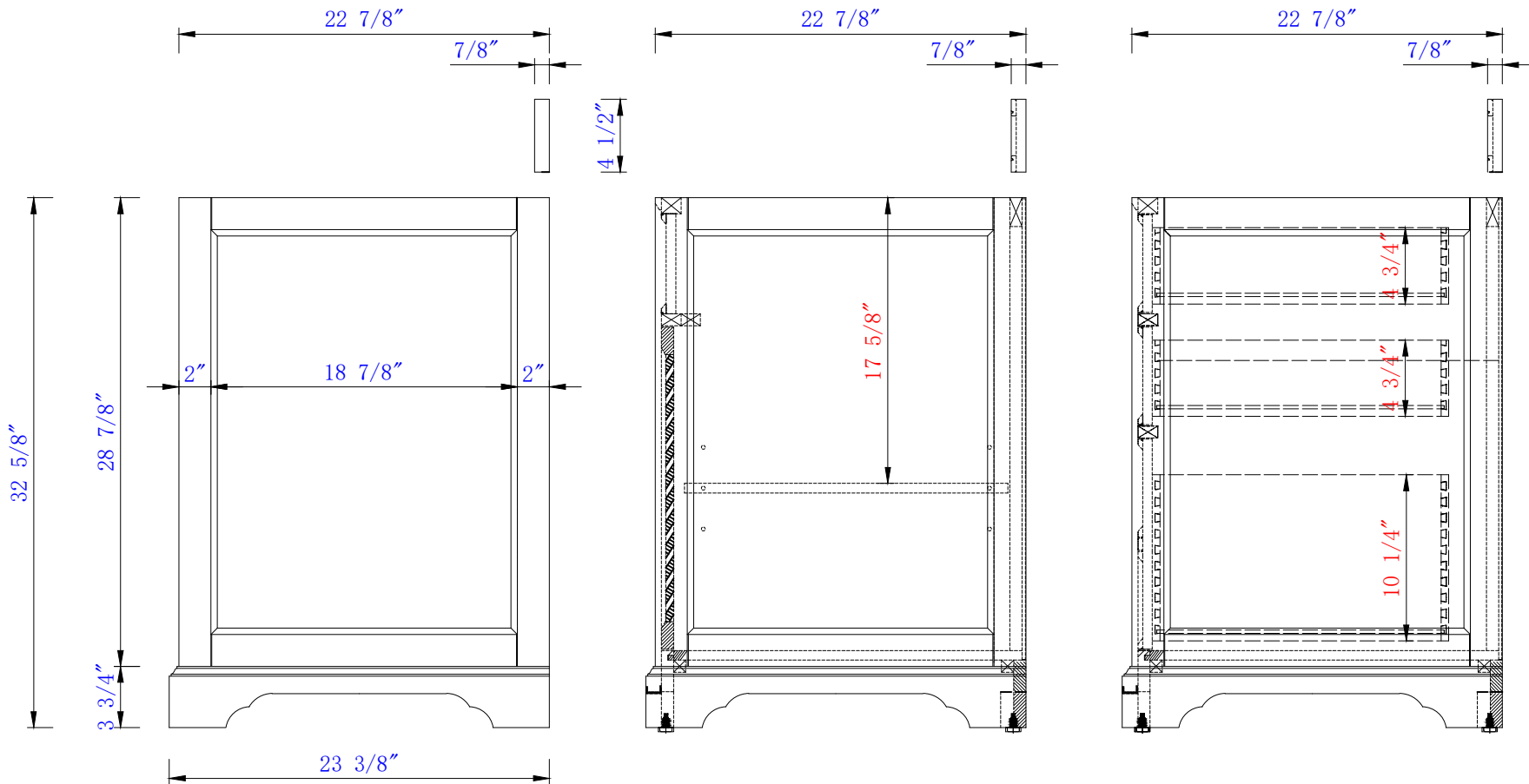
Item Number:
238-104-5211
238-104-V48-BW

JAMES MARTIN



VANITIES™

Savannah 48" Single Vanity
Cabinet w/Drawers
Diagrams with Dimensions
page 03 of 03



NOTE ONE: Countertops are not shown in these diagrams .(Cabinet Only)

NOTE TWO: Wood Backsplash (Shown) is designed for the molding detail to align with sinks in James Martin's Optional Countertops.

Customers' own countertops and sinks may align differently.

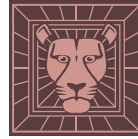
Please consult our website for Countertop Diagrams: www.jamesmartinvanities.com

Version:202107

1219mm

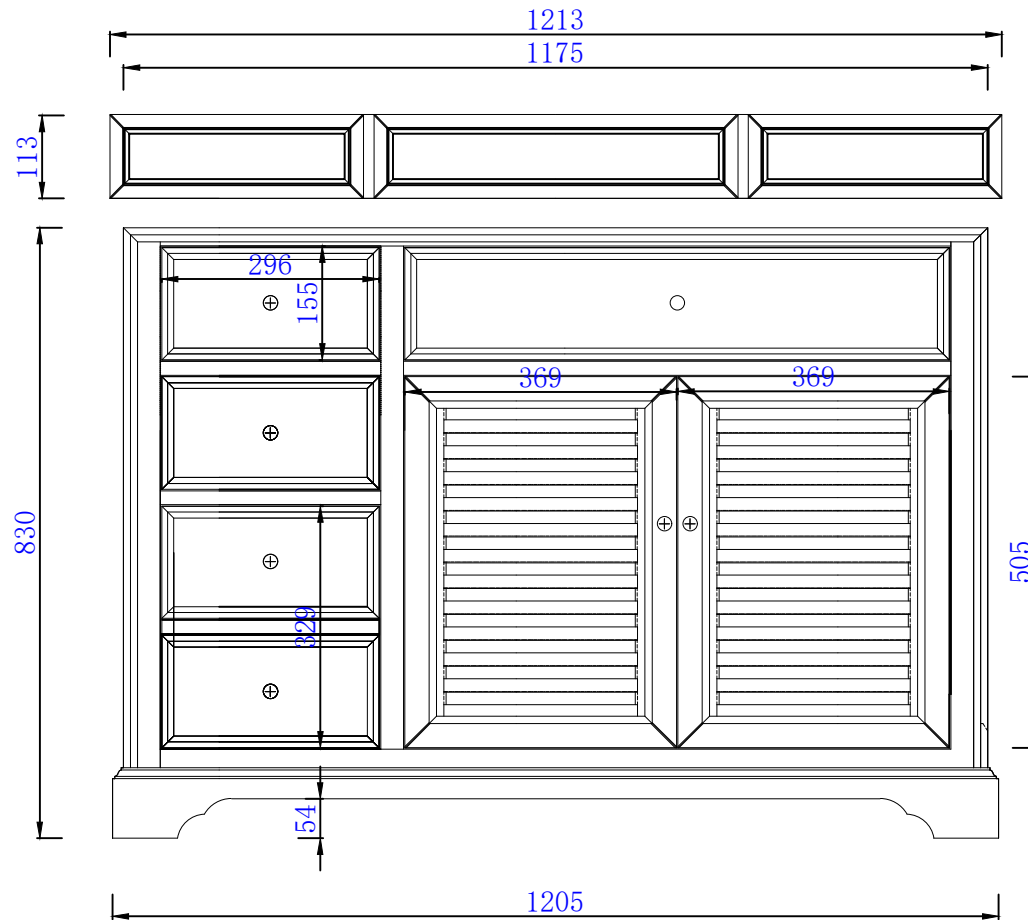
Item Number:
238-104-5211
238-104-V48-BW

JAMES MARTIN



VANITIES™

Savannah 1219mm Single Vanity
Cabinet w/Drawers
Diagrams with Dimensions
page 01 of 03



NOTE ONE: Countertops are not shown in these diagrams .(Cabinet Only)

NOTE TWO: Wood Backsplash (Shown) is designed for the molding detail to align with sinks in James Martin's Optional Countertops.

Customers' own countertops and sinks may align differently.

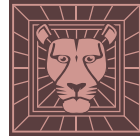
Please consult our website for Countertop Diagrams: www.jamesmartinvanities.com

Version:202107

1219mm

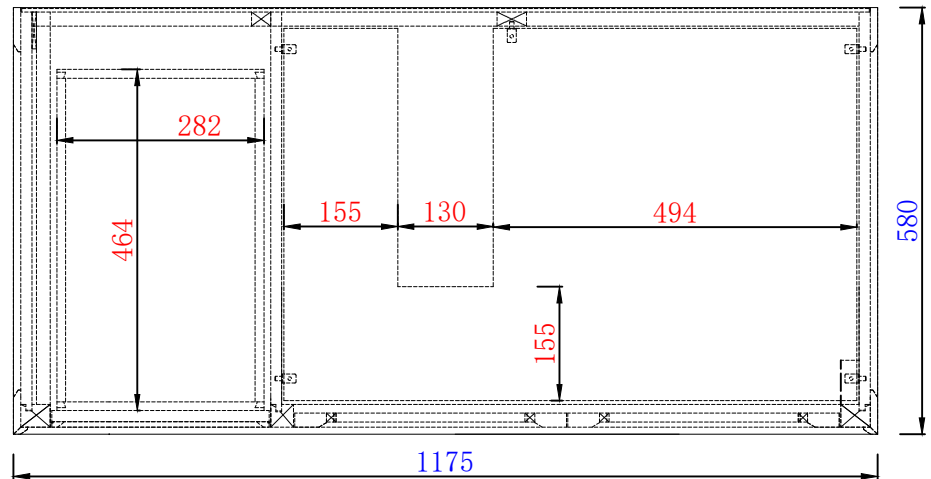
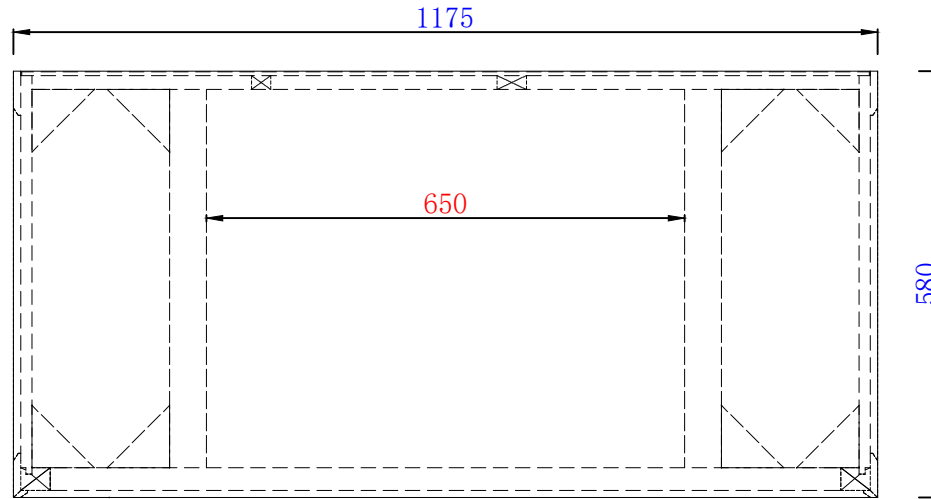
Item Number:
238-104-5211
238-104-V48-BW

JAMES MARTIN



VANITIES™

Savannah 1219mm Single Vanity
Cabinet w/Drawers
Diagrams with Dimensions
page 02 of 03



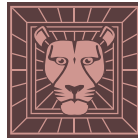
NOTE ONE: Countertops are not shown in these diagrams .(Cabinet Only)

NOTE TWO: Internal Shelves (Shown) are designed to align with sinks in James Martin's Optional Countertops.
Customers' own countertops and sinks may align differently, and modification may be required.
Please consult our website for Countertop Diagrams: www.jamesmartinvanities.com

1219mm

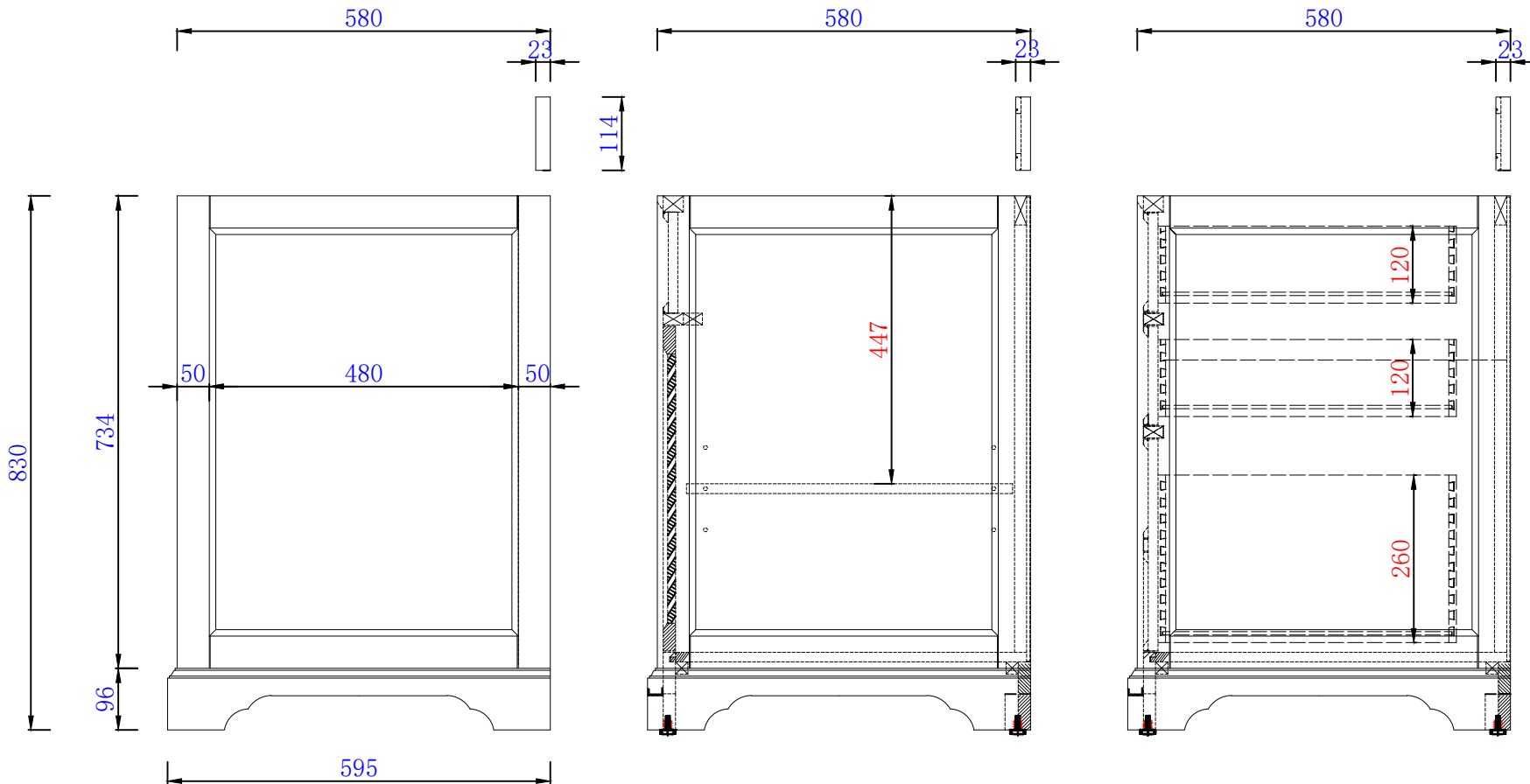
Item Number:
238-104-5211
238-104-V48-BW

JAMES MARTIN



VANITIES™

Savannah 1219mm Single Vanity
Cabinet w/Drawers
Diagrams with Dimensions
page 03 of 03



NOTE ONE: Countertops are not shown in these diagrams .(Cabinet Only)

NOTE TWO: Wood Backsplash (Shown) is designed for the molding detail to align with sinks in James Martin's Optional Countertops.

Customers' own countertops and sinks may align differently.

Please consult our website for Countertop Diagrams: www.jamesmartinvanities.com

Version:202107